

CARRY MORE DETECTION POWER

Simultaneous, dual-mode system for a broad range of explosives detection

Detects explosives and narcotics simultaneously in seconds

Flexible user interface with a wide range of operating levels

State-of-the-art battery for long life, hot swappable for continued operation

Ergonomic design for grab-and-go portability

Easy-to-access components for quick maintenance

Network ready/USB compliant



TO HELP KEEP AHEAD OF THE GROWING CHALLENGES OF EXPLOSIVES AND NARCOTICS DETECTION, THE MOBILETRACE[®] HANDHELD PACKS THE ADVANCED CAPABILITIES OF SIMULTANEOUS DUAL-MODE DETECTION INTO A POWERFUL, USER-FRIENDLY HANDHELD.

MobileTrace[®], the first simultaneous dual-mode handheld detector, expands the range of target explosives you can identify in a single sample for faster, more comprehensive security screening. Rapiscan[®] Systems patented ITMS[™] (Ion Trap Mobility Spectrometry) technology offers you the explosives and narcotics detection, sensitivity and reliability proven at military bases, border crossings, airports, and other critical security checkpoints around the world.

EASY OPERATION, RICH DISPLAYS

MobileTrace[®] graphical interface is intuitive and easy to learn for new operators. Itemiser[®] and EntryScan[®] users will find the operating system very familiar.

Data is evaluated on a 800 NIT 3.5 in. (8.9 cm) color screen using five display options:

- SelectScan for a simple list of alarm/no alarm status of substances in the library.
- Peaks view for a tabular form of time-of-flight and height of peaks detected.
- Plasmagram for a graphical representation of peaks detected.
- 3-D view and Intensity Map for analytical interpretation (not shown).

To accommodate a range of lighting situations, MobileTrace[®] is designed with adjustable display brightness.

VERSATILE

Three default user levels (operator, maintenance and administrator) for access control.

State-of-the-art networking capability and USB connectivity.

ITMS[™] desktop software enables file management, analysis and printing.

Option to use substance codes instead of substance names for privacy and security.

Expandable libraries accommodate unique user requirements.

PARTICLE AND VAPOR SAMPLING

MobileTrace[®] gives you the flexibility to swipe surfaces for trace particles or to analyze vapors.

Particle swipe: MobileTrace[®] conveniently uses standard Rapiscan[®] Systems sample traps. The Teflon[®]-coated traps are swiped across a surface and inserted into the system for analysis. Typical sampling objects include clothing, skin, baggage, cargo, vehicles, containers, tickets and ID cards.

Vapor sampling: Vapors are drawn through a nozzle directly into the system for analysis. Typical sampling objects.

EASY TO USE

Touch screen with text or icon menus, 800 NIT 3.5 in. (8.9 cm) color, glare resistant display.

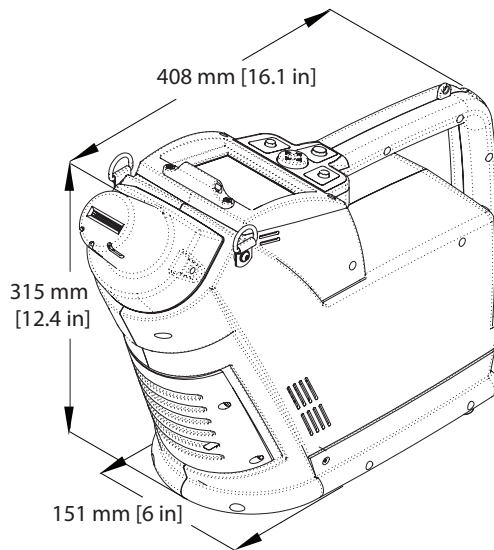
Navigation pad, touch screen keypad and optional keyboard.

Easy-to-learn graphical interface.

Semi-automated or manual calibration.

Easy access to components for efficient maintenance.

Many local language options available.



PHYSICAL SPECIFICATIONS

Dimensions:	Length: 409 mm (16.1 in.) Width: 152 mm (6 in.) Height: 315 mm (12.4 in.)
Handwand Dimensions:	Length: 279 mm (11 in.) Diameter: 28 mm (1.1 in.)
Weight (Approx.):	Net: 4.3 Kg (9.4 lbs) with battery/ .065 Kg (.875 lbs) handwand

TECHNICAL SPECIFICATIONS

Detector Type:	Ion Trap Mobility Spectrometer (ITMS™)
Analysis Time:	Default 10/11 seconds for particle mode explosives/narcotics; Default 10 seconds for vapor mode
Sample Acquisition:	Particle swipe or vapor sampling
Warmup Time (Cold Start):	Allow approximately 30 minutes for system to stabilize
Operating Temperature:	-10 to 55°C (14 to 131°F), up to 95% RH (non-condensing)
Power:	115/230 VAC, 50/60 Hz 12 VDC, vehicle adaptor (cable included) Two rechargeable Li-Ion batteries, up to four hours each, charger included Internal back-up batteries to maintain power while swapping batteries
Computer:	1 GB or greater file storage capacity
Display:	800 NIT 3.5 in. (8.9 cm), transreflective QVGA color LCD Touch screen
Signal Processing:	Output to five different display types including substance listing, time-of-flight plasmagram and tabular displays, 3-D and Intensity Map
Detection Modes:	Explosives (optimized negative ion mode); Narcotics (optimized positive ion mode); Vapor mode
Data Transfer Capability:	Ethernet and USB connectivity

With continual development of our products Rapiscan® Systems reserves the right to amend specifications without notice. Product pictures are for general reference. Please note that due to US laws and regulations, not all Rapiscan® products are available for sale in all countries without restriction. Please contact your Rapiscan® Systems sales representative for more information.



Rapiscan® Systems is ISO 9001:2008 Certified

AMERICAS, CARIBBEAN

2805 Columbia Street
Torrance,
California
90503
UNITED STATES of AMERICA
Tel: +1 310-978-1457
Fax: +1 310-349-2491

EUROPE, MIDDLE EAST, AFRICA

X-Ray House
Bonehurst Road
Salfords
Surrey RH1 5GG
UNITED KINGDOM
Tel: +44 (0) 870-7774301
Fax: +44 (0) 870-7774302

ASIA

240 Macpherson Road
#07-01 Pines Industrial Building
Singapore
348574
SINGAPORE
Tel: +65-6846-3511
Fax: +65-6743-9915

sales@rapiscansystems.com
www.rapiscansystems.com