

NON-RADIOACTIVE- BASED EXPLOSIVES AND NARCOTICS DETECTION

Simultaneous detection of explosive
and narcotics in eight seconds

Non-radioactive ion source

Automated internal calibration

Increased usability, improved
operational and detection accuracy

Remote monitoring capability
via Remote Connect[™]

Push-button, schedulable
automated maintenance

Patented regenerative dryer



USING A NON-RADIOACTIVE IONIZATION SOURCE AND SIMULTANEOUS, DUAL-MODE DETECTION, ITEMISER[®] 4DX CAN DETECT A BROAD RANGE OF CURRENT MARKET THREAT EXPLOSIVES AND NARCOTICS WITHOUT THE USE OF A RADIOACTIVE SOURCE, THEREBY ELIMINATING THE NEED FOR ANNUAL WIPE TESTS AND LICENSING WHILE REDUCING SHIPPING CHALLENGES.

The portable, ergonomic desktop unit features automated internal calibration to help decrease consumables cost, optimize ongoing equipment operation and increase detection accuracy.

COST EFFECTIVE

Automated internal calibration eliminates cost of purchasing and managing calibration traps.

Folding monitor screen automatically shuts off backlight to extend life of display.

Regenerative dryer increases uptime and eliminates cost of monthly dryer material replacements.

Decreases labor required to initiate and manage maintenance.

RELIABLE

Simultaneous dual mode detection by using one detector significantly decreases the possibility of mechanical failure associated with two detector systems.

Maintains a low, stable humidity level in the detector, allowing for consistent and reliable detection results.

Automatically saves test results, preventing deletions.

Robust internal solid-state hard drive for reliable data storage.

Optional maintenance reminders for all preventive requirements.

Advanced diagnostics to ensure maximum availability and performance.

EASE OF USE

Non-radioactive ionization source removes shipping restrictions and licensing requirements.

Built in printer for fast hard copy results or printing later.

Quick analysis and results in approximately 8 seconds.

On-board software keypad and help files.

Automated, push-button maintenance can be scheduled.

Easily accessible maintenance items.

Ability to create custom substance libraries.

EASY-TO-USE OPERATOR INTERFACE

Results require minimal interpretation, allowing operators to concentrate on sample acquisition.

Onboard computer automatically logs all data, including time, date, sample analysis and system status.

A comprehensive history of saved data and alarm files can be recalled and printed.

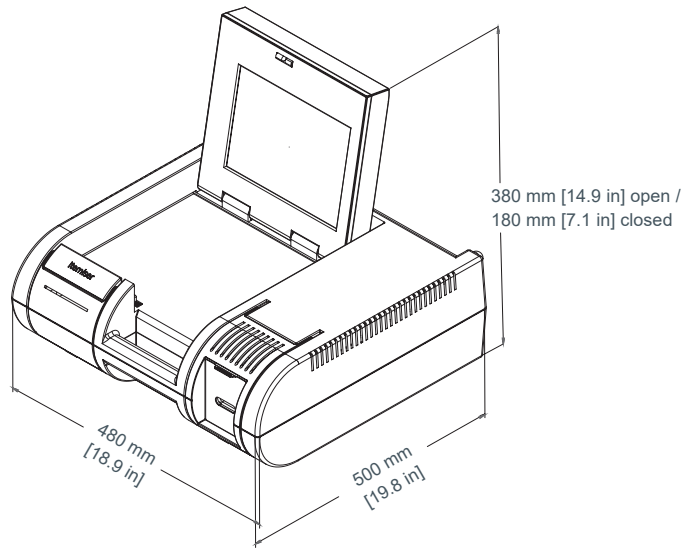
PORTABILITY

Lightweight (28.65 lb/12.99 kg) with built-in handle for easy transport.

Internal, one-hour battery allows instrument relocation without shut off, eliminating warmup time.

ITEMISER® 4DX

Rapiscan®
systems
An OSI Systems Company



PHYSICAL SPECIFICATIONS

Dimensions: Length: 500 mm (19.8 in.) open/ 460 mm (18 in.) closed
Width: 480 mm (18.9 in.)
Height: 380 mm (14.9 in.) open/ 180 mm (7.1 in.) closed

Weight (Approx.): Net: 12.99 Kg (28.65 lbs)

TECHNICAL SPECIFICATIONS

Detector Type: Ion Trap Mobility Spectrometer (ITMS™)
Analysis Time: Default 8 seconds
Sample Acquisition: Surface wipe
Warmup Time (Cold Start): Allow approximately 30 minutes for system to stabilize
Operating Temperature: -10 to 55°C (14 to 131°F) IP20 protection rating
Power: External AC to DC Power Supply: 100-240 VAC, ~1.8 Amps, 47-63 Hz input,
15 VDC output, 10 Amps, 150W

Battery Backup: Up to 60 minutes
Computer: Hard Drive: 120 gigabytes
Operating System: Linux

Display: 10.4 in (26.4 cm) TFT-LCD monitor with resistive touch screen
Signal Processing: Recognition on multiple peaks and explosives; output to 4 different display types,
including bar graph display or time-of-flight plasmagram display

Detection Modes: Explosives and Narcotics Detection or Dual Mode Detection
Data Transfer Capability: Two USB 2.0 ports; Ethernet port

With continual development of our products Rapiscan® Systems reserves the right to amend specifications without notice. Product pictures are for general reference. Please note that due to US laws and regulations, not all Rapiscan® products are available for sale in all countries without restriction. Please contact your Rapiscan® Systems sales representative for more information.



Rapiscan® Systems is ISO 9001:2008 Certified

AMERICAS, CARIBBEAN

2805 Columbia Street
Torrance,
California
90503
UNITED STATES of AMERICA
Tel: +1 310-978-1457
Fax: +1 310-349-2491

EUROPE, MIDDLE EAST, AFRICA

X-Ray House
Bonehurst Road
Salfords
Surrey RH1 5GG
UNITED KINGDOM
Tel: +44 (0) 870-7774301
Fax: +44 (0) 870-7774302

ASIA

240 Macpherson Road
#07-01 Pines Industrial Building
Singapore
348574
SINGAPORE
Tel: +65-6846-3511
Fax: +65-6743-9915

sales@rapiscansystems.com
www.rapiscansystems.com