

DATASHEET



Using a non-radioactive ionization source and optimized, for narcotics detection, Itemiser[®] 4DN can detect a broad range of current market threat narcotics without the use of a radioactive source, thereby eliminating the need for annual wipe tests and licensing while reducing shipping challenges.

OPTIMIZED DETECTION OF NARCOTICS IN EIGHT SECONDS

NON-RADIOACTIVE ION SOURCE

AUTOMATED INTERNAL CALIBRATION

REMOTE MONITORING CAPABILITY VIA REMOTE CONNECT™

NARCOTICS OPTIMIZATION

Highly selective and sensitive detection of familiar narcotic threats as well as synthetic cannabinoids and opioids. User expandable library enabling in the field system optimization.

FEATURES

- Non-radioactive ionization source.
- Built in printer for fast hard copy results.
- On-board software keypad and help files.
- Automated, push-button maintenance can be scheduled.
- Easily accessible maintenance items.
- Ability to create custom substance libraries.

PORTABILITY

- Lightweight (28.65 lb/12.99 kg) with built-in handle for easy transport.
- Internal, one-hour battery allows instrument relocation without shut off, eliminating warm-up time.

EASY-TO-USE OPERATOR INTERFACE

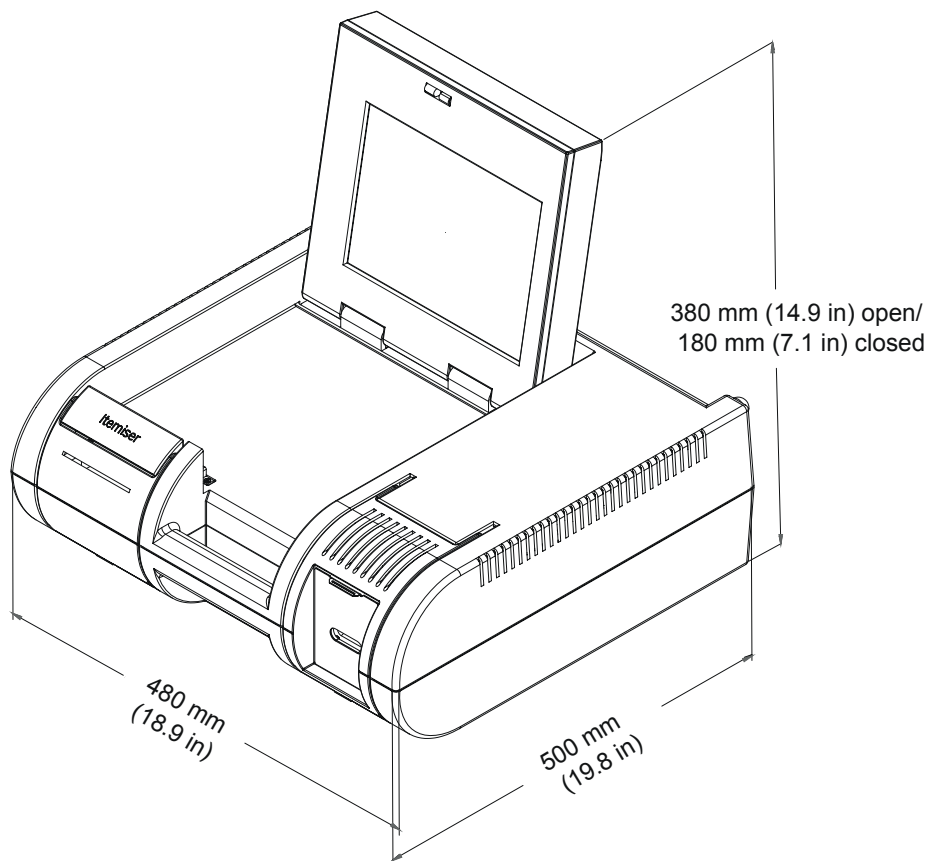
- Results require minimal interpretation, allowing operators to concentrate on sample acquisition.
- Automatically log data, including time, date, sample analysis and system status.
- Comprehensive history of saved data and alarm files.

COST EFFECTIVE

- Automated internal calibration eliminates cost of purchasing and managing calibration traps.
- Regenerative dryer increases uptime and eliminates cost of monthly dryer material replacements.
- Decreases labor required to initiate and manage maintenance.

RELIABLE

- Simultaneous dual mode detection by using one detector decreasing failure associated with two detector systems.
- Maintains a low, stable humidity level in the detector, allowing for consistent and reliable detection results.
- Automatically saves test results, preventing deletions.
- Robust internal solid-state drive for reliable data storage.
- Optional maintenance reminders for all preventive requirements.
- Advanced diagnostics to ensure maximum availability and performance.



ENVIRONMENT & POWER

DETECTOR TYPE	Ion Trap Mobility Spectrometer (ITMS™)
ANALYSIS TIME	Default 8 seconds
SAMPLE ACQUISITION	Surface wipe
WARMUP (Cold Start)	Approximately 30 minutes
OPERATING TEMP	-10 to 55°C (14 to 131 °F)
PROTECTION RATING	IP20
POWER	External AC to DC Power Supply Input 100-240 VAC, ~1.8 A, 47-63 Hz Output 15 VDC, 10 A, 150W
BATTERY BACKUP	Up to 60 minutes
HARD DRIVE	120 gigabytes
OPERATING SYSTEM	Linux
DISPLAY	10.4 in (26.4 cm) TFT-LCD monitor with resistive touch screen
SIGNAL PROCESSING	Recognition on multiple peaks and narcotics - Output to 4 different display types, including bar graph or time-of-flight plasmagram
DETECTION MODES	Narcotics Detection
DATA TRANSFER	Two USB 2.0 ports; Ethernet port

PHYSICAL SPECIFICATIONS

DIMENSIONS	L	500 mm (19.8 in) open 460 mm (18 in) closed
	W	480 mm (18.9 in)
	H	380 mm (14.9 in) open 180 mm (7.1 in) closed
	WEIGHT (Approx)	12.99 Kg (28.65 lbs)